

### Application

- It is used for water circulation in small and medium-sized swimming pools. Slightly dirty water with solids in suspension can be perfectly filtered.

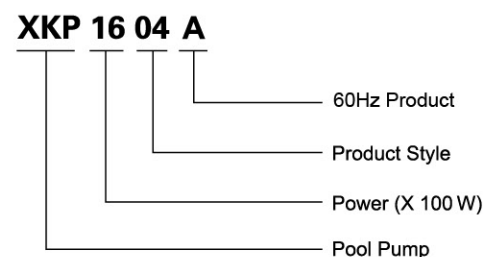
### Pump

- Engineering plastic pump body
- AISI 304 shaft
- Max. liquid temperature: +35°C
- Max. suction: 3.5 m

### Motor

- Built-in thermal protector for single phase motor
- Insulation class: F
- Protection class: IPX5

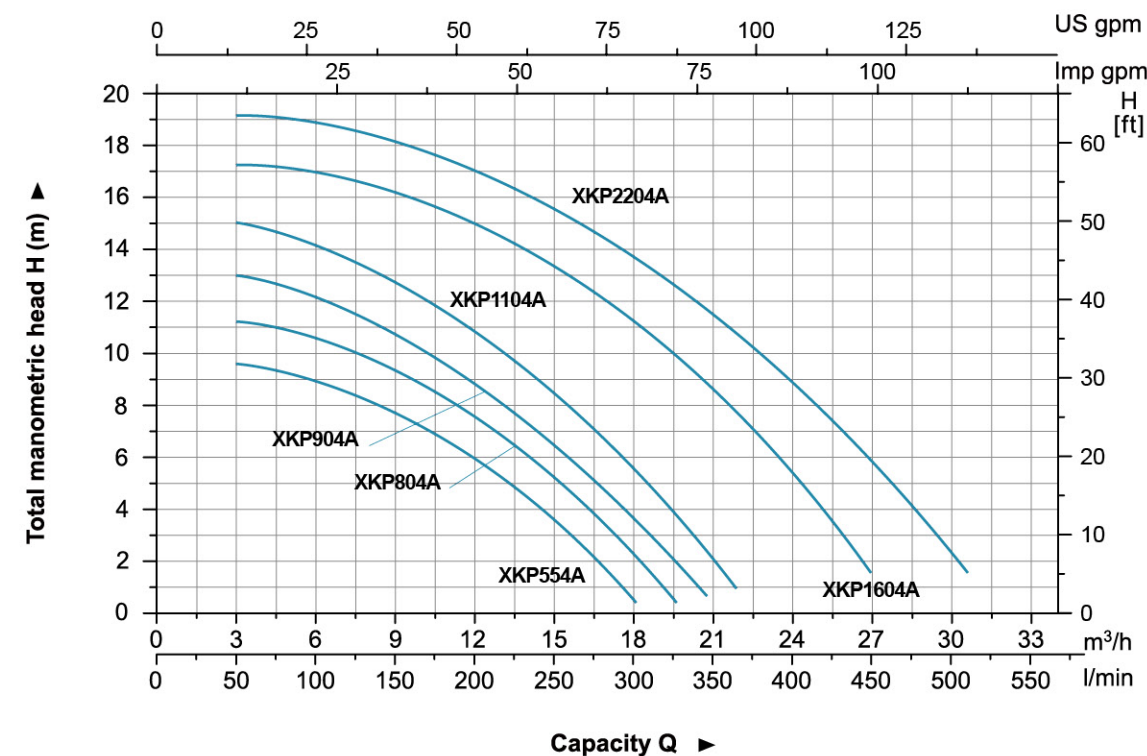
### Identification Codes



### Technical Data

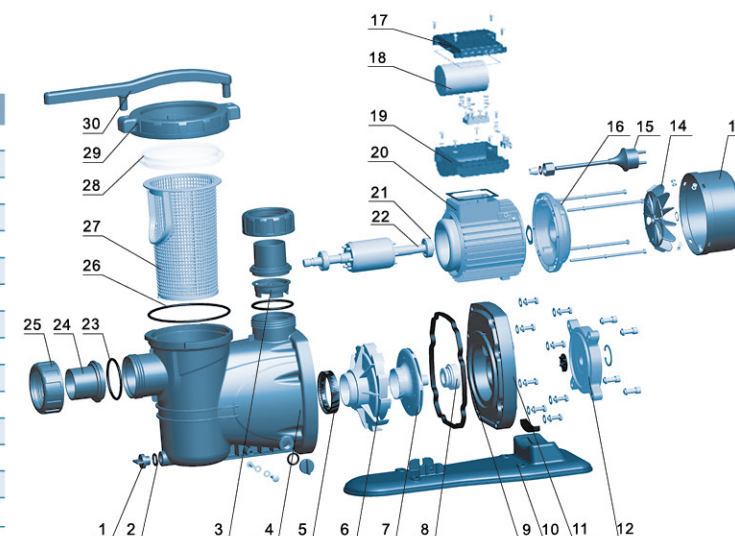
MODEL	POWER (P <sub>i</sub> ) W	Q (m <sup>3</sup> /h) Q (l/min)	H (m)												
			3	6	9	12	15	18	21	24	27	30			
XKP554A	600		9.9	9.4	8.8	6.3	3.5	0.7	-	-	-	-	-	-	-
XKP804A	800		11.9	11.2	10.1	8.2	5.4	2.3	-	-	-	-	-	-	-
XKP904A	900		13.8	12.5	11.2	9.8	7	3.8	-	-	-	-	-	-	-
XKP1104A	1100		15.6	14.5	13.2	12.1	9.1	5.8	2.1	-	-	-	-	-	-
XKP1604A	1600		17.9	17.7	17.1	16.3	14.2	12	9	5.8	1.2	-	-	-	-
XKP2204A	2200		19.9	19.6	19.1	18.3	16.8	14.8	12	9.2	6	2.2	-	-	-

### Hydraulic Performance Curves

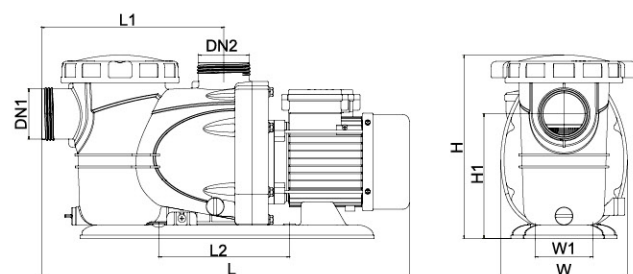


### Materials Table

No.	Part	Material	No.	Part	Material
1	Drain plug	PP	16	Rear cover	ZL102
2	O-ring	NBR	17	Capacitor cover	ABS
3	Valve body	PP	18	Capacitor	
4	Pump body	PP	19	Terminal box	ABS
5	O-ring	NBR	20	Stator	
6	Diffuser	PP	21	Bearing	
7	Impeller	PPO	22	Rotor	
8	Mechanical seal	Carbon/Ceramic	23	O-ring	NBR
9	O-ring	NBR	24	Connector	PVC
10	Bottom board	PP	25	Nut	ABS
11	Plastic support	PP	26	O-ring	EPDM
12	Pump support	ZL102	27	Sieve	PP
13	Fan cover	PP	28	Pump cover	PC
14	Fan	PP	29	Pump cover nut	PA6
15	Cable		30	Wrench	PP



### Dimension



Model	DN1	DN2	L (mm)	W (mm)	H (mm)	L1 (mm)	L2 (mm)	H1 (mm)
XKP554A	50	50	553	190	278	274	197	187
XKP804A			553	190	278	274	197	187
XKP904A			553	190	278	274	197	187
XKP1104A			553	190	278	274	197	187
XKP1604A			583	190	278	274	197	187
XKP2204A			583	190	278	274	197	187

### Package Information

Model	GW (Kgs)	L (mm)	W (mm)	H (mm)	Quantity (PCS/20 TEU)
XKP554A	10	585	220	290	816
XKP804A	11	585	220	290	816
XKP904A	11.6	585	220	290	816
XKP1104A	12.2	585	220	290	816
XKP1604A	15.7	615	230	290	744
XKP2204A	17.6	615	230	290	744

